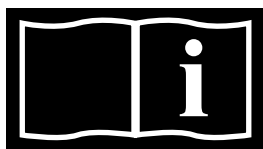


# LED 18W/12V SWIMMING POOL LIGHT WITH REMOTE CONTROL



## INSTALLATION AND OPERATING INSTRUCTIONS



Read the operating instructions

## Contents

I.	Pack contents .....	3
II.	Basic information.....	3
III.	Positioning the spot light and fitting the mounting box.....	3
IV.	Fitting.....	5
V.	Setting into operation.....	5
VI.	Instructions for the remote control.....	5

Thank you for choosing our product and placing your trust in our company. In order for your use of this product to provide you with many hours of happiness, please carefully read these instructions and before using the equipment, follow the operating instructions precisely in order to avoid damage to the equipment or needless injury.

## 1. Pack contents

### Spot light for fitting in vinyl-lined or prefabricated swimming pools

- Mounting box: x1
- Self-adhesive sealing pad for the box: x2
- Box flange: x1
- The spot light itself: x1
- Bag with joining material

## 2. Basic information

This spot light is designed for illumination of swimming pools. It must be fitted in the swimming pool vertically on the wall and completely immersed in the water. This is a class III electrical product for 12V low alternating voltage.

The spotlight conforms with international safety standards and lighting standards.

The supplier refuses to bear any liability in the event of incorrect use, modification and other application of this product than that for which it is intended.

## 3. Positioning the spot light and fitting the mounting box

- Never fit the spot light horizontally
- For clear illumination of the inside of the swimming pool, we recommend use of one spot light for every 25 m<sup>2</sup> of pool area. For very deep swimming pools (more than 2 m), we recommend use of one spot light for every 30-40 m<sup>3</sup> of water
- In order to avoid glare from the spot light, we recommend fitting of spot lights on the side of the swimming pool, which you usually approach it from
- If spot lights are used in competition or training swimming pools, position the spot lights on the longer sides to avoid dazzling the swimmers
- In order to avoid the need to drain the swimming pool when replacing bulbs in the spot light, we recommend you position the spot light in a place, which is easily accessible from the edge of the swimming pool

Before fitting the spot light, check that the cable grommet is appropriately tightened. If it is not tightened sufficiently, water could leak in; if it is too tight, it may burst.

The spot light should be positioned vertically on the wall of the swimming pool at a depth of 400 - 700 mm under the surface of the water (Fig. 1).

Prefabricated swimming pools (vinyl-lined, plastic or fibreglass):

A hole must be cut into the wall of the swimming pool (Fig. 2). Fix one self-adhesive sealing pad and the mounting box from the outer side of the swimming pool. Fix the other self-adhesive sealing pad from the inside of the swimming pool and join all 3 components with the aid of the 2 screws (Fig. 3). Ensure that the cable outlet in the mounting box is at the top.

Before fitting the flange for the mounting box, ensure that the screw heads fit into the holes on the back side of the flange. Fasten the flange to the wall of the swimming pool with the aid of the screws (Fig. 4).

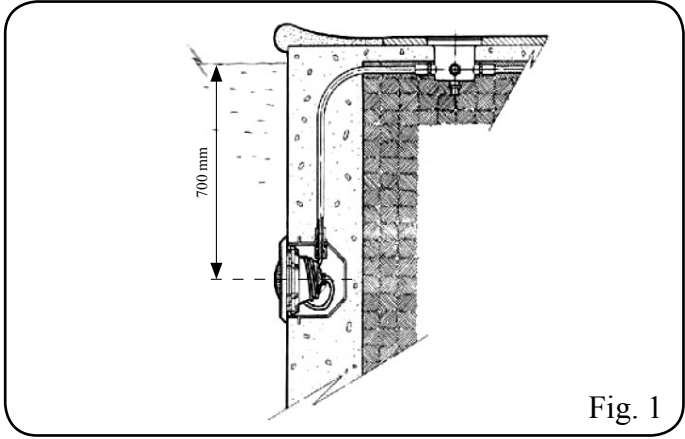


Fig. 1

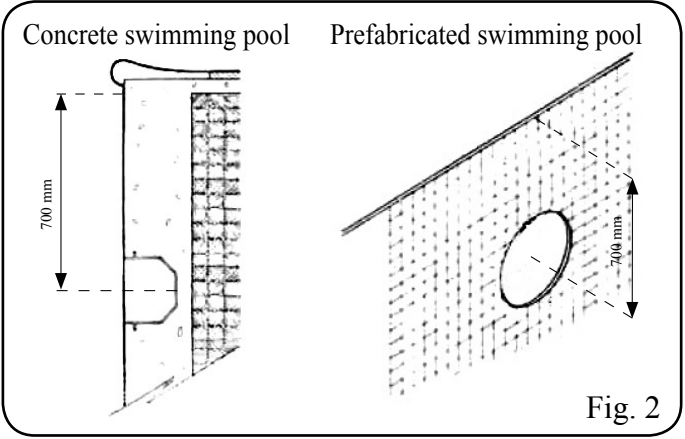


Fig. 2

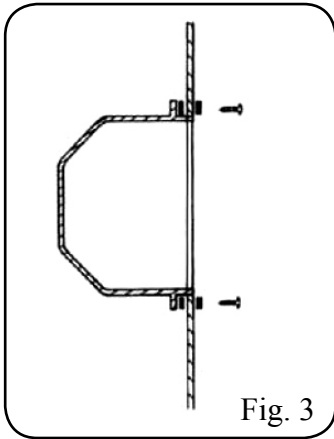


Fig. 3

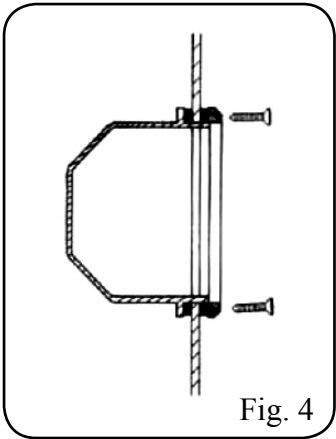


Fig. 4

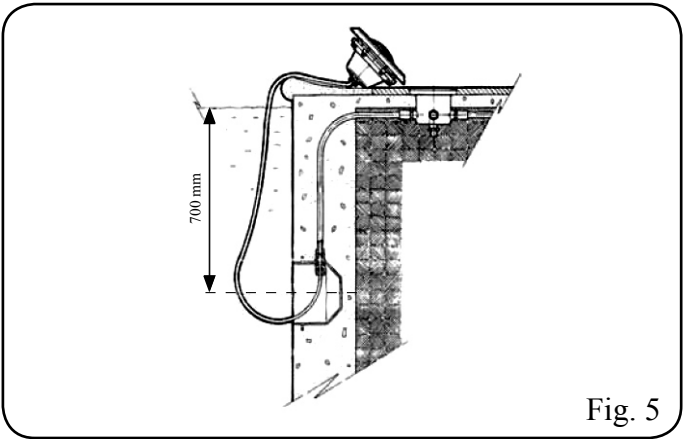


Fig. 5

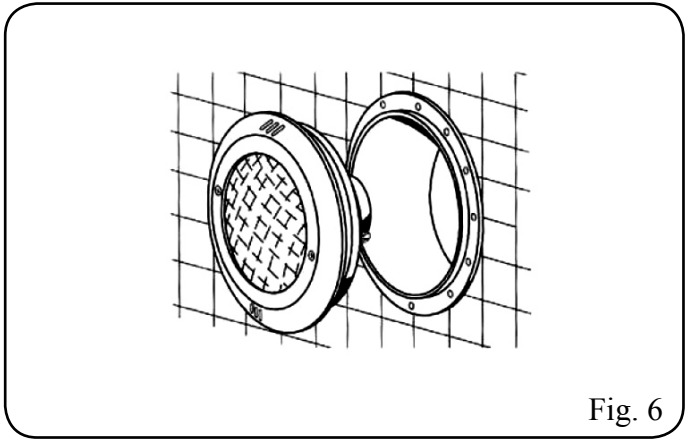


Fig. 6

## 4. Fitting

After having fitted the mounting box and flange with sealing for prefabricated swimming pools, move on to fitting the spot light itself. To connect the spot light to the electricity, the power supply cable must be pulled through the grommet nut. **Tighten the nut carefully in such a way that the cable is secured in the grommet. You must leave 1.5 m of cable coiled around the back body of the spot light to ensure that if necessary, it is possible to pull out the spot light above the edge of the swimming pool to replace the bulb (Fig. 5). Also tighten all nuts around the circumference of the spot light.** Insert the whole spot light into the mounting box (Fig. 6).



## 5. Setting into operation

Check that the supply voltage to the spot light is not greater than 12V.



The spot light must be positioned vertically on the wall of the swimming pool and must be completely immersed in the water.

## 6. Instructions for the remote control

### Button functions

- Buttons 1 and 2 have no function for this type of light
- Buttons 3 and 4 are used to switch the light on and off
- The  button is used to switch between colours (red, green, blue, multicolour)
- The  button is intended for automatic colour change according to a set time interval

### Automatic colour change according to a set time interval

Switch on the light using button 3 or 4 and select GREEN using the  button and then press the  button. Quick colour change will be activated.

Light depth including casing	Number of LED diodes	Light angle	Light intensity	Voltage	Power input
178 mm	Red: x78	30°	150 cd	12V	18W
	Green: x78				
	Blue: x96				

2 or more lights installed in the swimming pool could be controlled by one remote control, but cannot be synchronized in color.

**Guarantee conditions**

The guarantee conditions are governed by the commercial and guarantee conditions of your supplier.

**Safe liquidation of the product at the end of its useful life**

Once the product's useful life has ended, please ensure its ecological liquidation by a specialised company

**Claims and servicing**

Claims are governed by the pertinent acts on consumer protection. If any irremovable defects are ascertained, please contact your supplier in writing.

Datum.....

Supplier

--	--

 **WARNING**

- **Persons installing the spot light must be authorised to do so (authorised to fit electrical equipment)**
- **All safety regulations and the pertinent standards must be adhered to and contact by persons with electric voltage must be avoided**
- **The valid ČSN (Czech National Standards) for electrical installation must be adhered to**
- **Any maintenance, replacement of components or manipulation with the spot light, is only permissible after it has been safely disconnected from the mains**
- **Do not touch the spot light in the water or even on the side of the pool if you have wet hands or feet**
- **The supplier waives any liability for the product if it is not used as set out in these instructions or if non-original spare parts are used**