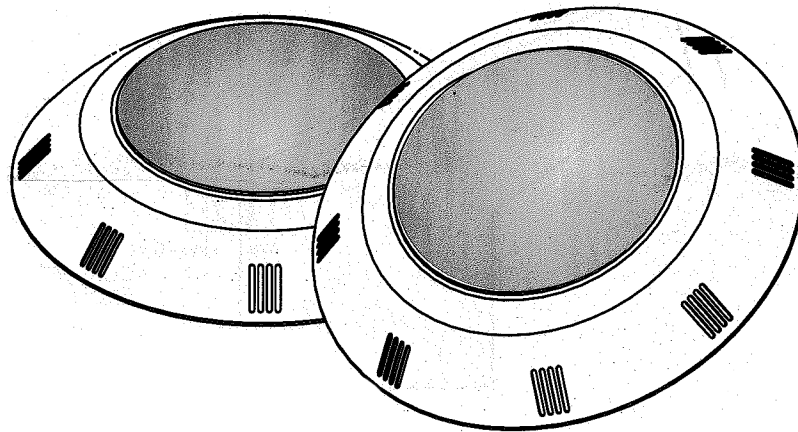
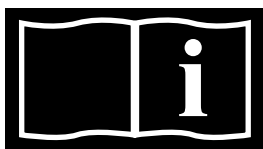


# POOL LIGHT UL - P100 (12V/100W)

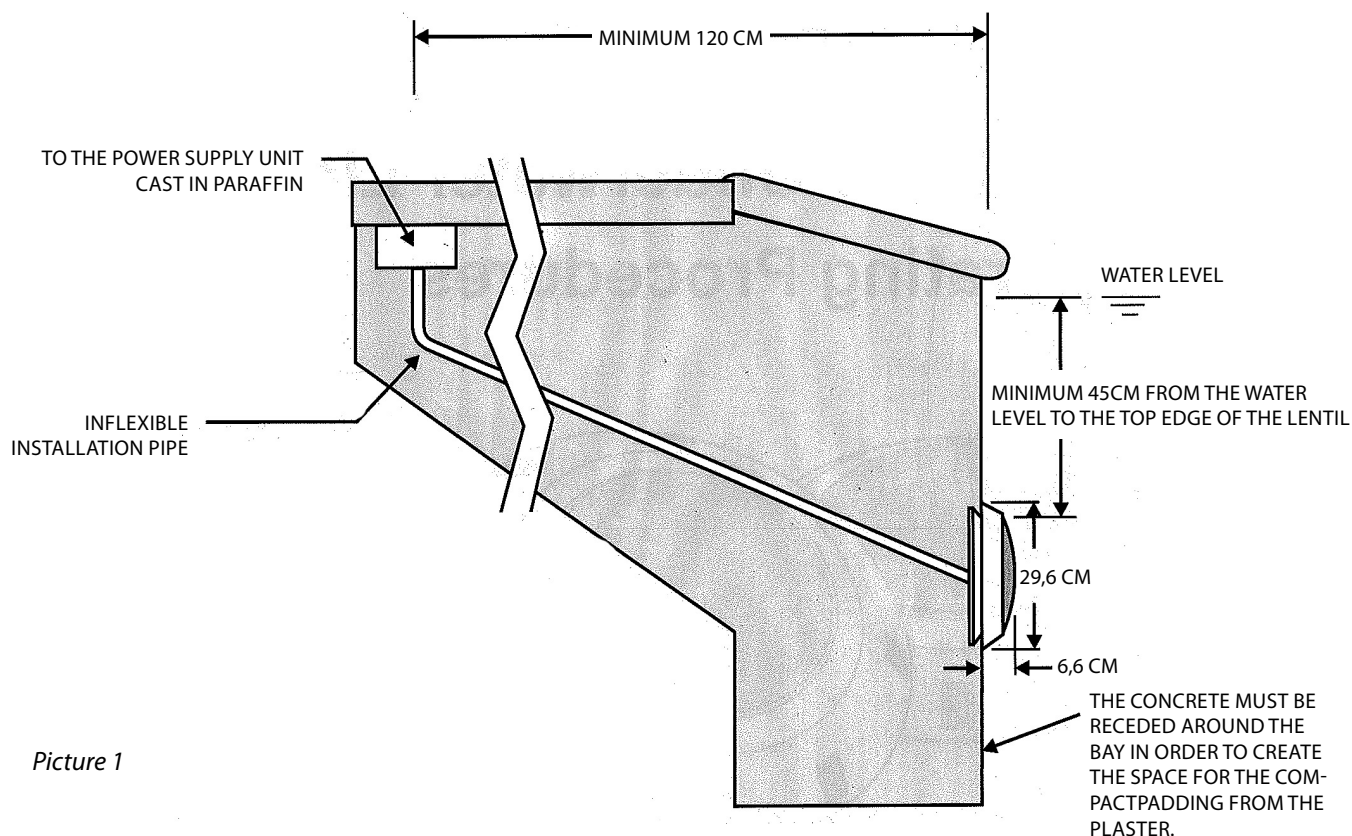


## INSTALLATION AND USER GUIDE



Please, carefully read the instruction

# 1. Preparation steps that must be taken by an electrician before the light installation: See picture 1.



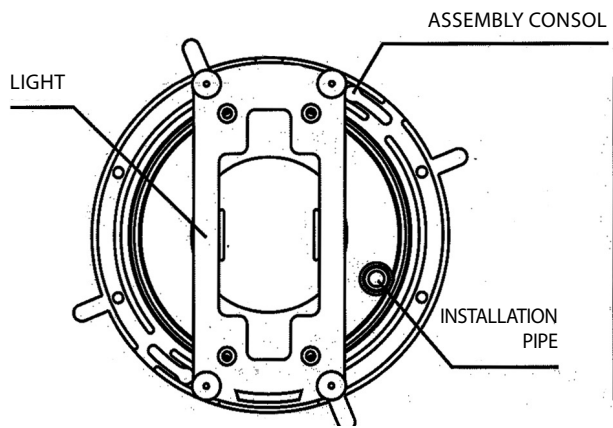
Picture 1

1. Make sure that the electric system and its installation meet the requirement of your governmental or local bodies. The installation of the underwater light can be operated only by a qualified electrician.
  - a) The junction box of the low-voltage transformer for 12V model of the light must be placed at least 120 cm from the edge of the pool, see picture 1.
  - b) The light and all metal components placed 240 cm from the edge of the pool must be appropriately protected by inflexible materials and the binds must be waterproofed.
  - c) The assembly consol must be properly installed in a way that the top edge of the light lentil is at least 45 cm under the pool water level, see picture 1.

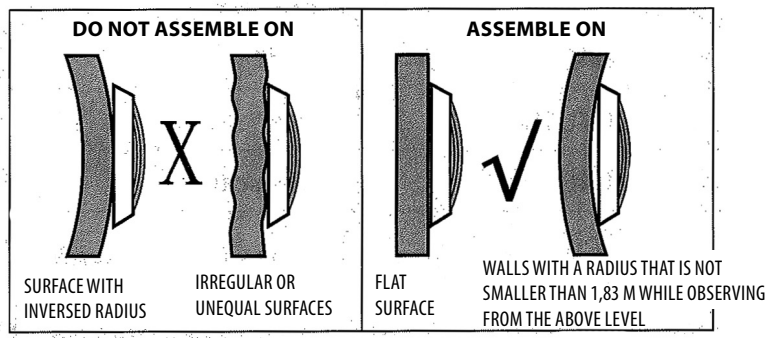
## 2. After meeting requirements for the electric system, carry out the following steps

1. Find a place on the vertical surface where you want to install the light. The top edge of the lenticle should be placed 45cm under the pool water level, see picture 1.
2. Connect the installation pipe to the centre of the distant erection pack (left from the console), see picture 2
3. If the surface of the pool should be plastered, you must leave the concrete recessed of the thickness of the plaster. Completed surface of the concrete must be levelled with the assembly spacer washer. **ATTENTION:** Completed surface in the surroundings of the assembly spacer washer **MUST BE** flat and aligned with the surface of the assembly spacer washer. It ensures the perfect adhesion of the light to the wall of the pool, see picture 3.
4. After finishing the surface of the pool, trim the installation pipe.
5. Roll the electric cable up in a way that its available length does not exceed 2,4 m. This superfluous cable enables to remove the light from the pool in order to exchange the lamp and carry out the service.
6. Pull the cable through the installation pipe and connect its conductors in the junction box. While connecting the conductors be careful not to pull more than 75-80 mm of the superfluous cable on the light through the installation pipe.
7. Connect all conductors to the appropriate circuit conductors in the junction box and pad all connections by the use of paraffin.
8. Fix the cover of the junction box.
9. Before turning the light on for longer than 10 seconds, fill the pool in a way that the light will be completely immersed in the water. In order to check the correct functions, turn the main switch or the fuse on, also activate the switch controlling the appropriate light.
10. The safe installation of the light to the console is secured by turning the safety system, see picture 4.

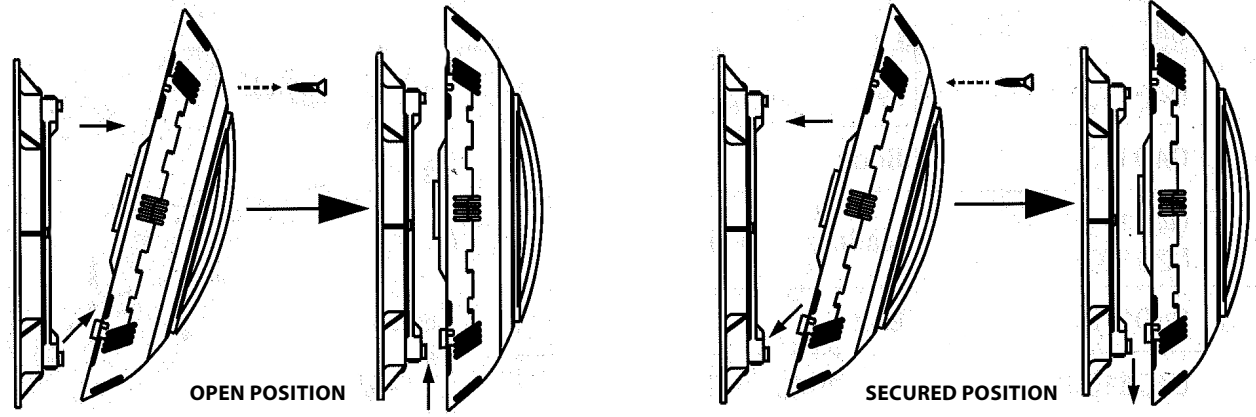
### 3. Preparation for winter: the light should remain in place during the winter



Picture 2



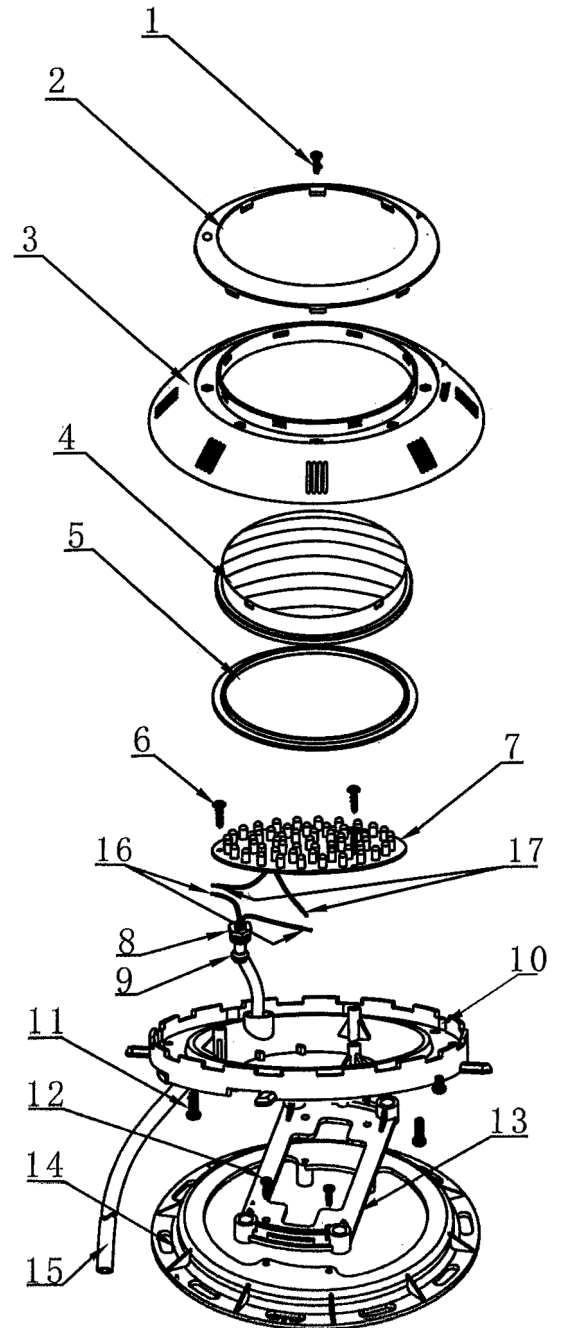
Picture 3



Picture 4

## 4. List of components

Position	Amount	Description
1	1	Coloured lenticul cover
2	1	Screw
3	1	Front ring
4	1	Cover
5	1	Lenticul
6	1	Lenticul padding
7	2	Padding nut with a screw
8	1	12V/100W lamp
9	1	Lamp padding
10	1	Mirror
11	1	Head with a cut
12	1	Sealing O-ring
13	1	Body
14	8	Padding nut with a screw
15	4	Screw
16	1	Assembly consol
17	1	Assembly spacer washer



**Conditions of guarantee**

Conditions of guarantee abide by the trading and guarantee conditions of your supplier.

**Secure disposal of the product after the lifetime expiry**

After the lifetime expiry, ensure its ecologic disposal made by a skilled company

**Complaints and customer service**

Complaints abide appropriate consumer protection rights. In the event of unrecoverable effect please, address the written complaint to your supplier.

Date.....

Supplier

## WARNING

**⚠ Never use this light for longer than 10 seconds if it isn't completely immersed under the water. In case, the assembled light will not be completely immersed, it will heat up considerably which can cause a serious injury to the users of the pool, plumbers and passers-by, or can deteriorate assets.**

**⚠ Before installation or removing the lamp, the power supply must be switched off. Before changing, leave the lamp to cool down. This light uses a halide siliceous lamp. Do not touch the lamp with bare arms, it might considerably shortened its lifetime. Use the plastic protector delivered with a spare lamp in order not to touch the lamp with your fingers.**

## DANGER!

### THE RISK OF BEING STROKEN OR KILLED BY THE ELECTRIC CURRENT

This light must be installed by a qualified electrician or a qualified service engineer in conformity with standards introduced by your governmental or local bodies. Incorrect installation creates electric danger that might lead to the serious injury, death or it might deteriorate assets. Before starting the service work on the light, disconnect the current from its supply. If you do not follow this instruction you might be exposed to the risk of a serious injury, death or deterioration of assets.