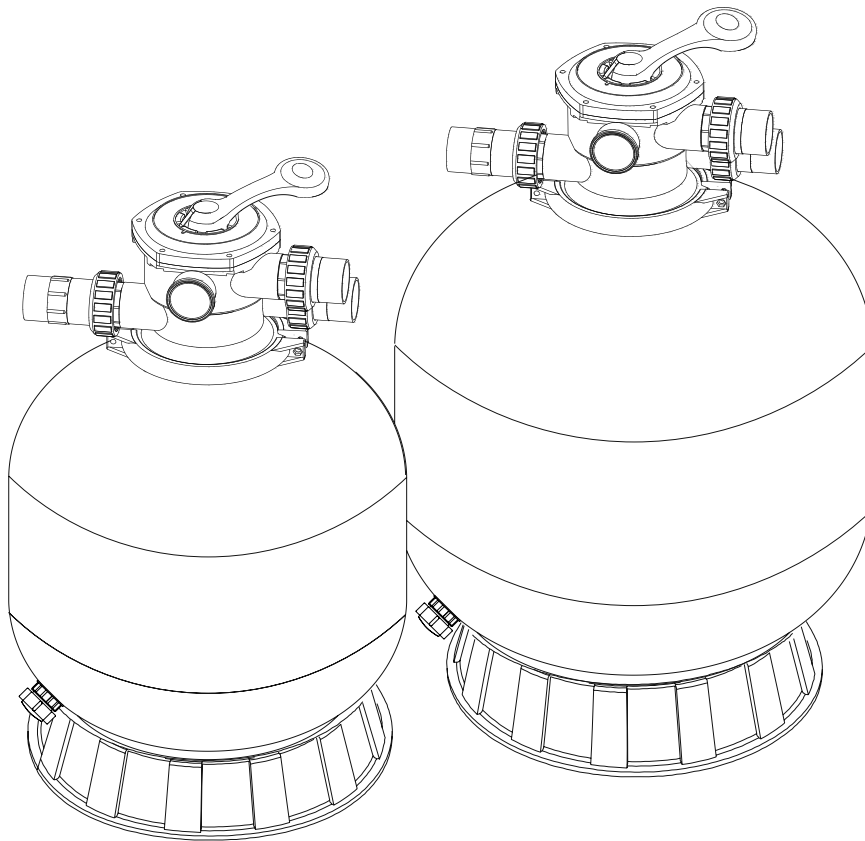


SAND FILTRATION WITH THE LEVER MULTI-WAY VALVE

(Models: P350, P450, P500, P650)



INSTALLATION AND USER GUIDE

Content

I.	Function	3
II.	Installation.....	3
III.	Main proportions.....	4
IV.	Installation/starting up the filtration.....	4
V.	List of filtration components	5
VI.	List of components - multi-way valve	6
VII.	Valve functions and meaning its positions.....	7

Thank you for choosing our product and for trusting our company. Please, read the instructions carefully and follow the steps indicated in our user guide before the initiation of this product in order to avoid the damage of the equipment or unwanted injury.

I. Function

The filter uses a special filtration sand to capture the dirt components from the pool water. A filter container, operating as a permanent dirt collector, is filled with the filtration sand. When the regulating valve remains in the position “FILTER“, the pool water containing the dirt, sucked through the system of hoses, is automatically forced in the regulating valve with patented filter and it is led from this place to the top part of the filtration container. The water, pushed through the sand, removing the fine dirt, is taking back to the bottom part of the container. Through the regulating valve, the water comes back to the pool by hoses. The whole process is continuous and automatic. It ensures the complete re-circulation of the pool water through the filter and the hose system.

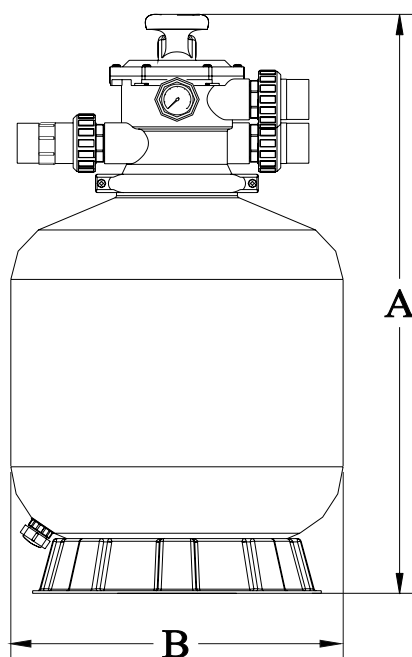
After some time of operation, the dirt accumulated in the filter may cause upsetting of water conduit through the sand and reduce the flow through the filtration unit. This process indicates to the fact that the filter should be cleaned. If you set the valve bar in the position BACKWASH, the water flow will automatically return, so it will flow from the bottom of the container through the filtration sand from which it rinses the sedimentary dirt to the waste pipe. If the filter is rinsed, set the bar in the position RINSE and activate the pump for a half to one minute; then set up the valve stick back to the position FILTER to re-initiate the standard filtration.

II. Installation

You will need only simple tools (screwdriver and keys) for installation and maintenance of the filter.

1. The filter should be placed on the horizontal concrete board, on a very hard ground or on a similar base. The filter must be located in the correct position in order to access well to the hose connection and to the regulating valve during the maintenance.
2. Pour the sand. The filtration sand is poured by the top opening of the filter.
 - a. Indulge the flange clamp and remove the regulating valve (if it has been already installed).
 - b. Cover the top opening of the central pipe by a plastic bag so that the sand can't penetrate.
 - c. We recommend to fill the container with the water, absorbing the fall of the sand, up to one half. This will help to protect drainage connectors against the excessive impact.
 - d. Pour carefully the right amount of the filtration sand. (Check the central pipe that must remain in the middle of the opening). The sand level must be aligned and must reach up to the middle part of the filtration container. Take the plastic bag off the central pipe.
3. Install the regulating valve on the filter container.
 - a. Put the regulating valve (with O-ring on) on the container neck so that the central pipe clicks in the opening at the bottom part of the valve.
 - b. Put the plastic clamp on the valve flange and the container, fasten it in the way that it will be possible to turn the valve on the container in order to reach the final position.
 - c. Screw carefully the pressure gauge (with O-ring mounted) in the tapped hole in the valve body. Do not pull over.
 - d. Connect the pump to the valve neck marked PUMP. Tighten flange clamps by the screwdriver after connection, tap on the clamp on the periphery by the screwdriver handle to settle down better.
4. Install the reversible pipe to the neck indicated RETURN and finish other necessary connections: suction hose to the pump, waste, etc.
5. Execute the electric connection of the pump according to the instructions.
6. Make sure that all hose connections are sufficiently tightened so that there is no water leakage.

III. Main proportions



Dimensional table

Model	High A (mm)	Diameter B (mm)	Set flow (m ³ /h)	Sand (kg)
P350	726	335	4	20
P450	814	455	6	45
P500	845	535	9	85
P650	950	635	12	145

IV. Installation/starting up the filtration

1. Make sure there is a sufficient amount of the filtration sand in the filter container and that all necessary connections have been executed and ensured.
2. Press the bar of the regulating valve and turn it in the position BACKWASH. (To prevent the damage on the valve scale, press always the stick before turning).
3. Irrigate the pump and turn it on according to the instructions (make sure that all suction and reversing pipes are opened), to fill the filtration container with water. When water is running out through the waste hose, leave the pump in operation at least for one minute. The primary sand rinse is recommended due to the removing of the dirt and fine particles.
4. Turn the pump off and set the valve in the position RINSE. Activate the pump and let it run for about half a minute to one minute until the water in the aperture is not clean. Turn the pump off, set the valve back in the position FILTER and re-activate the pump. The filtration is running now in the standard filtration mode and filter off the dirt from the pool water.
5. Adjust the suction and reversible valves in a way to reach the required flow. Check that the water doesn't leak from the system and the filter and if necessary, tighten the connections, screws or nuts.

